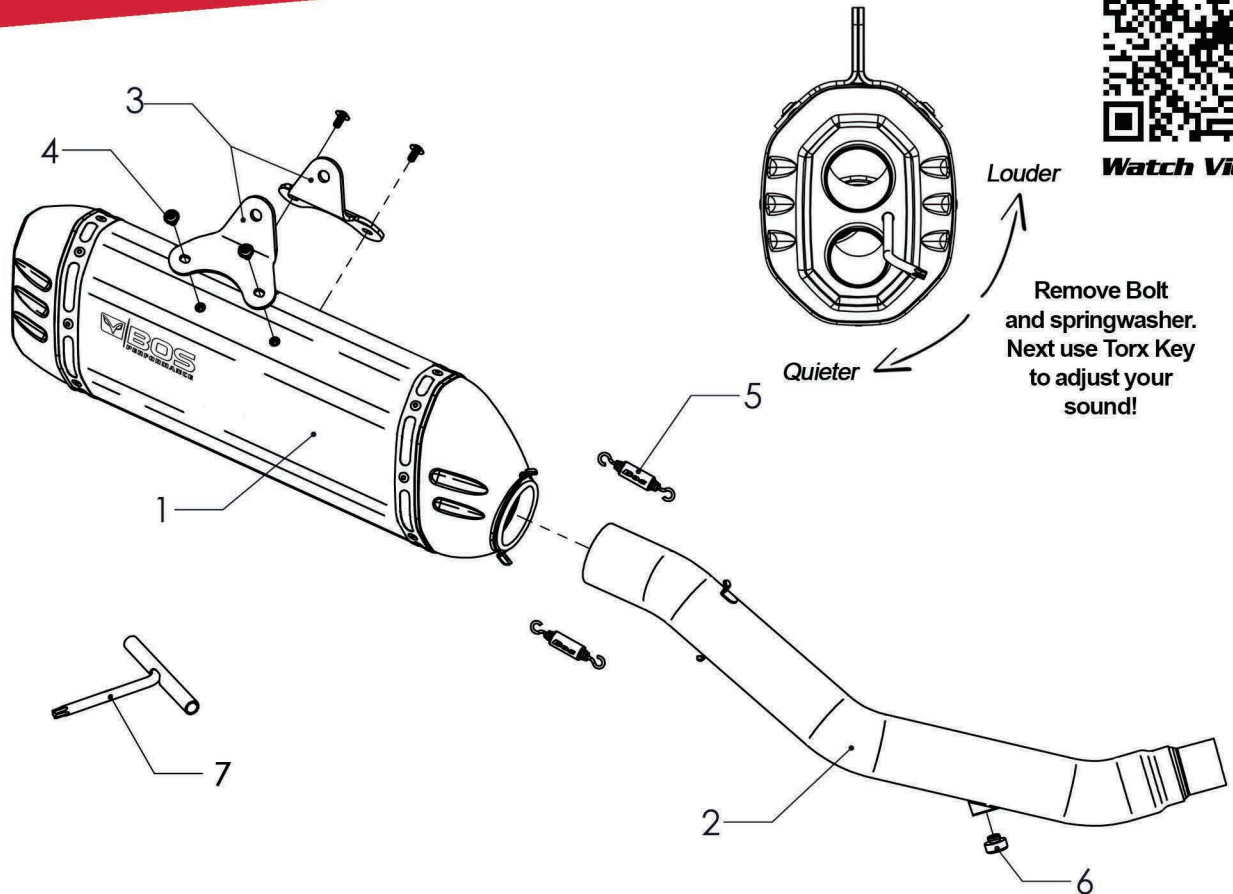




Watch Video!



| Pos | Qty | Part No. | Description | Ordernumber |
|-----|-----|---------------|---|------------------------------------|
| 1 | 1 | 900028 | Muffl. DesertFox Type 1007 Shot Blasted | TR12T01-DESB - Shot Blasted |
| 1 | 1 | 900029 | Muffl. DesertFox Type 1007 Carbon Steel | TR12T01-DECS - Carbon Steel |
| 1 | 1 | 900030 | Muffl. DesertFox Type 1007 Black Coated | TR12T01-DEBL - Black Coated |
| | | 850001 | Mounting Parts: | Weight: |
| 2 | 1 | 750001 | Link Pipe | Stock: 6,4 kg |
| 3 | 2 | 69012 | Mounting Bracket | Bos: 4,7 kg |
| 4 | 4 | 14148 | M6x16 Torx Flange Screw | Noiselevel: @ 4500 rpm |
| 5 | 2 | 14087 | Pull Spring 48 mm. | Stock: Specified 92,0 dB(A) |
| 6 | 1 | 14090 | Rubber Standstop | Measured 91,6 dB(A) |
| 7 | 1 | 14154 | BOS Sound Control Key | Bos: Closed 91,5 dB(A) |
| | | | | Open 95,5 dB(A) |

Performance

Stock: 120,5 Hp / 8456 rpm
 Bos: 127,4 Hp / 88639 rpm
 Max. Hp incr.: + 7,6 Hp / 8246 rpm
 Max Nm incr.: + 6,3 Nm / 8168 rpm

Tips

In order to avoid smudges and fingerprints burning into the surface it is imperative to clean the exhaust before starting the engine, burnt in stains are very difficult to remove.
 After 300 miles or 500 kms. check all nuts and bolts and retighten if necessary.

Extra Parts: