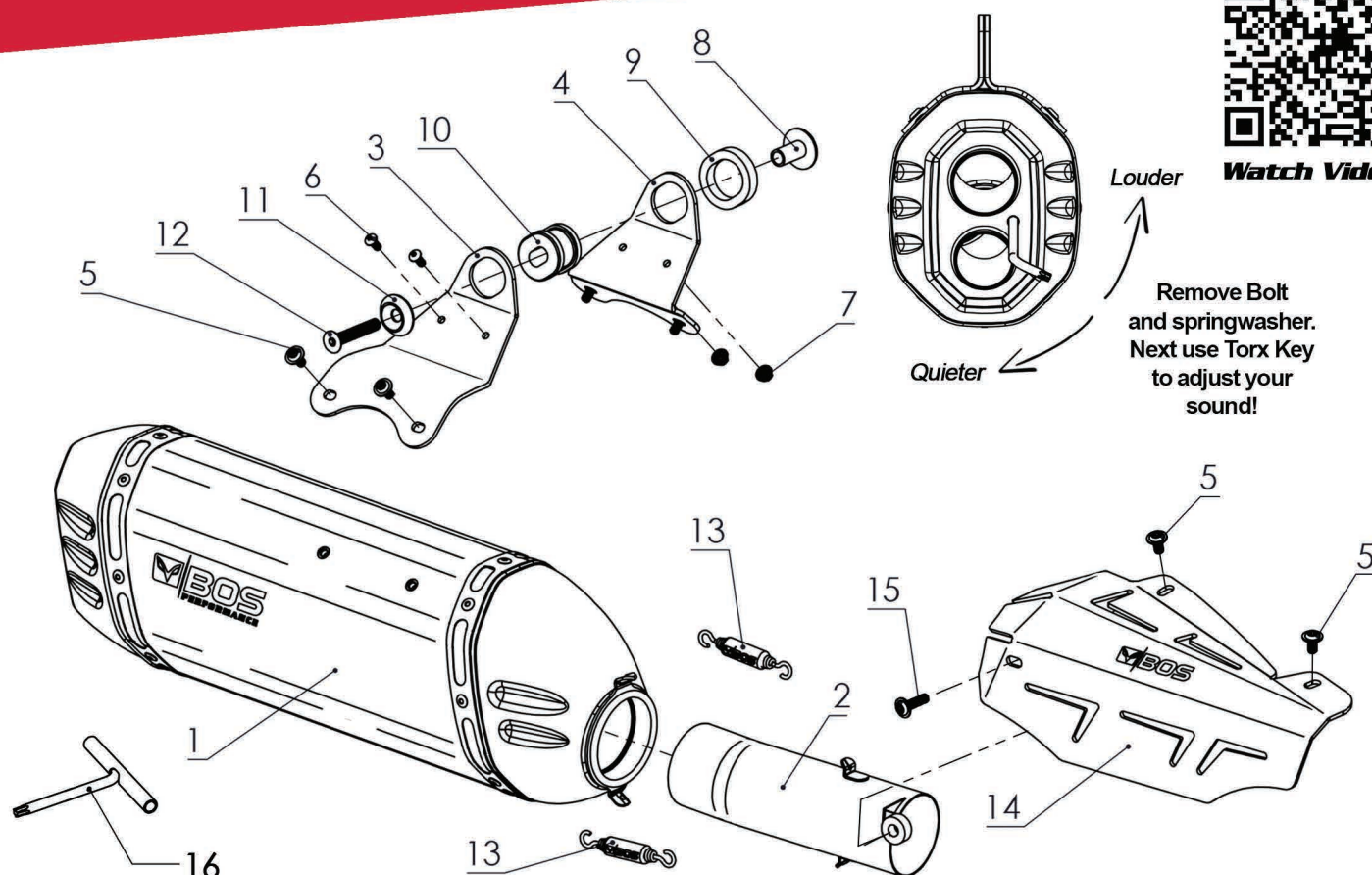




Watch Video!



Pos	Qty	Part No.	Description	Ordernumber
1	1	900012	Muffl. DesertFox Type 1008 Shot Blasted	HO10L01-DESB - Shot Blasted
1	1	900013	Muffl. DesertFox Type 1008 Carbon Steel	HO10L01-DECS - Carbon Steel
1	1	900015	Muffl. DesertFox Type 1008 Black Coated	HO10L01-DEBL - Black Coated
		<b>850003</b>	<b>Mounting Parts:</b>	<b>Weight:</b>
2	1	750012	Link Pipe	Stock: 4,9 kg
				Bos: 4,9 kg
3	1	700016	Mounting Bracket	<b>Noiselevel: @ 3750 rpm</b>
4	1	700015	Mounting Bracket	Stock: Specified 93,0 dB(A)
5	6	14148	M6x16 Torx Flange Screw	Measured 92,0 dB(A)
6	2	300005	M5x12 Bolt	Bos: Closed 94,0 dB(A)
7	2	300004	M5 Serrated Flanged Nut	Open 96,0 dB(A)
8	1	300018	Bushing 24mm.	
9	1	700020	Spacer	
10	0	Original	Rubber	<b>Performance</b>
11	1	14069	M8x34 Ring	Stock: 86,6 Hp / 6962 rpm
12	1	14072	Bolt M8x45 DIN7991	Bos: 89,2 Hp / 7117 rpm
13	2	14087	Pull Spring 48 mm.	Max. Hp incr.: + 4,2 Hp / 4012 rpm
14	1	700019	Heatshield	Max Nm incr.: + 8,1 Nm / 3837 rpm
15	1	Original	Bolt Heatshield	
16	1	14150	BOS Sound Control Key	

### Extra Parts:

### Tips

In order to avoid smudges and fingerprints burning into the surface it is imperative to clean the exhaust before starting the engine, burnt in stains are very difficult to remove.

After 300 miles or 500 kms. check all nuts and bolts and retighten if necessary.