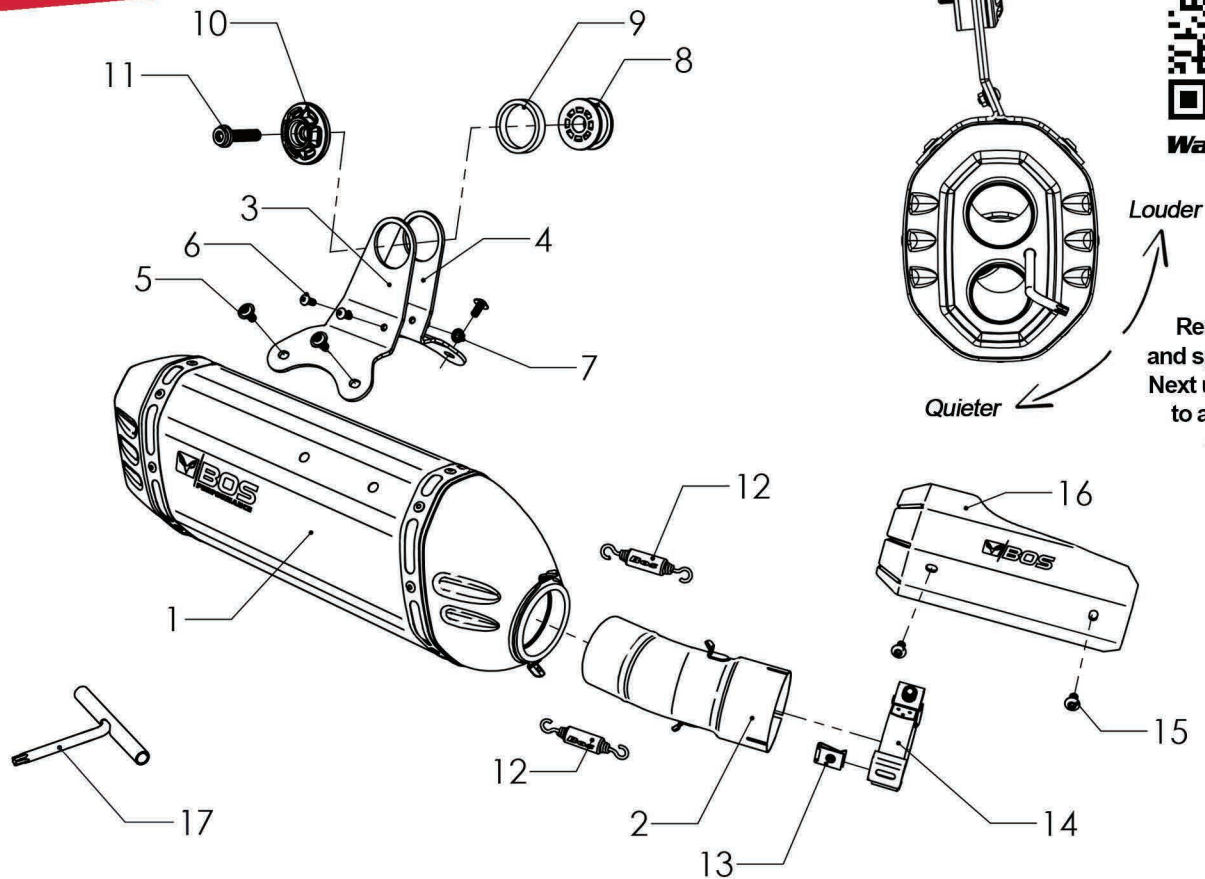




**Watch Video!**



Pos	Qty	Part No.	Description	Ordernumber
1	1	900012	Muffl. DesertFox Type 1008 Shot Blasted	<b>BM12R06-DESB - Shot Blasted</b>
1	1	900013	Muffl. DesertFox Type 1008 Carbon Steel	<b>BM12R06-DECS - Carbon Steel</b>
1	1	900015	Muffl. DesertFox Type 1008 Black Coated	<b>BM12R06-DEBL - Black Coated</b>
		<b>80273</b>	<b>Mounting Parts:</b>	<b>Weight:</b>
2	1	750004	Link Pipe	Stock: 5,0 kg Bos: 4,4 kg
3	1	69013	Mounting Bracket	<b>Noiselevel: @ 3850 rpm</b>
4	1	69014	Mounting Bracket	Stock: Specified 93,0 dB(A) Measured 92,5 dB(A)
5	4	14148	M6x16 Torx Flange Screw	Bos: Closed 90,5 dB(A) Open 93,5 dB(A)
6	2	300005	M5x12 Bolt	
7	2	300004	M5 Serrated Flanged Nut	
8	1	Original	Rubber	
9	1	64779	Spacer 9 mm.	
10	1	Original	Washer	
11	1	Original	Bolt	
12	2	14088	Pull Spring 36 mm.	
13	1	14111	Speednut M5	
14	1	64780	Clamp 67 with nutcase	
15	2	Original	Bolt	
16	1	600042	Heatshield	
17	1	14154	BOS Sound Control Key	

**Extra Parts:**

**Performance**

Stock: 124,5 Hp / 7324 rpm  
 Bos: 125,4 Hp / 7388 rpm  
 Max. Hp incr.: + 3,1 Hp / 7629 rpm  
 Max Nm incr.: + 3,4 Nm / 4455 rpm

**Tips**

In order to avoid smudges and fingerprints burning into the surface it is imperative to clean the exhaust before starting the engine, burnt in stains are very difficult to remove.  
 After 300 miles or 500 kms. check all nuts and bolts and retighten if necessary.