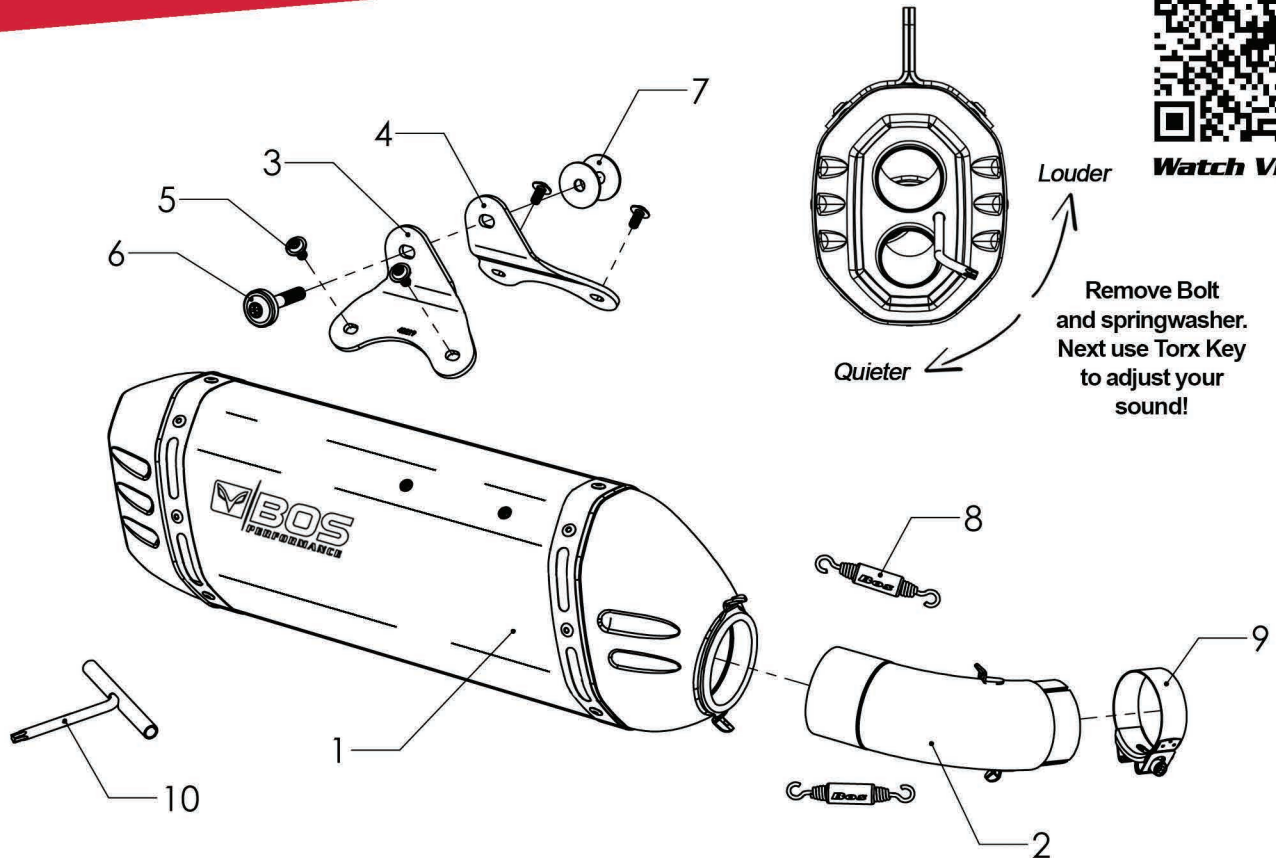




Watch Video!



Pos	Qty	Part No.	Description	Ordernumber
1	1	900012	Muffl. DesertFox Type 1008 Shot Blasted	SU10D01-DESB - Shot Blasted
1	1	900013	Muffl. DesertFox Type 1008 Carbon Steel	SU10D01-DECS - Carbon Steel
1	1	900015	Muffl. DesertFox Type 1008 Black Coated	SU10D01-DEBL - Black Coated
		80277	Mounting Parts:	Weight:
2	1	72304	Adapter	Stock: 5,5 kg
3	1	64768	Mounting Bracket #1	Bos: 4,3 kg
4	1	64769	Mounting Bracket #2	Noiselevel: @ 4000 rpm
5	4	14148	M6x16 Torx Flange Screw	Stock: Specified 89,0 dB(A)
6	0	<i>Original</i>	<i>Bolt M8 original</i>	Measured 86,5 dB(A)
7	0	<i>Original</i>	<i>Washer M8 original</i>	Bos: Closed 90,5 dB(A)
8	2	14088	Pull Spring 36 mm.	Open 93,0 dB(A)
9	1	64560	Clamp 55-59	
10	1	14150	BOS Sound Control Key	Performance
				Stock: 90,2 Hp / 7384 rpm
				Bos: 92,4 Hp / 7402 rpm
				Max. Hp incr.: + 2,8 Hp / 5799 rpm
				Max Nm incr.: + 3,8 Nm / 5634 rpm

Extra Parts:

Tips

In order to avoid smudges and fingerprints burning into the surface it is imperative to clean the exhaust before starting the engine, burnt in stains are very difficult to remove.

After 300 miles or 500 kms. check all nuts and bolts and retighten if necessary.