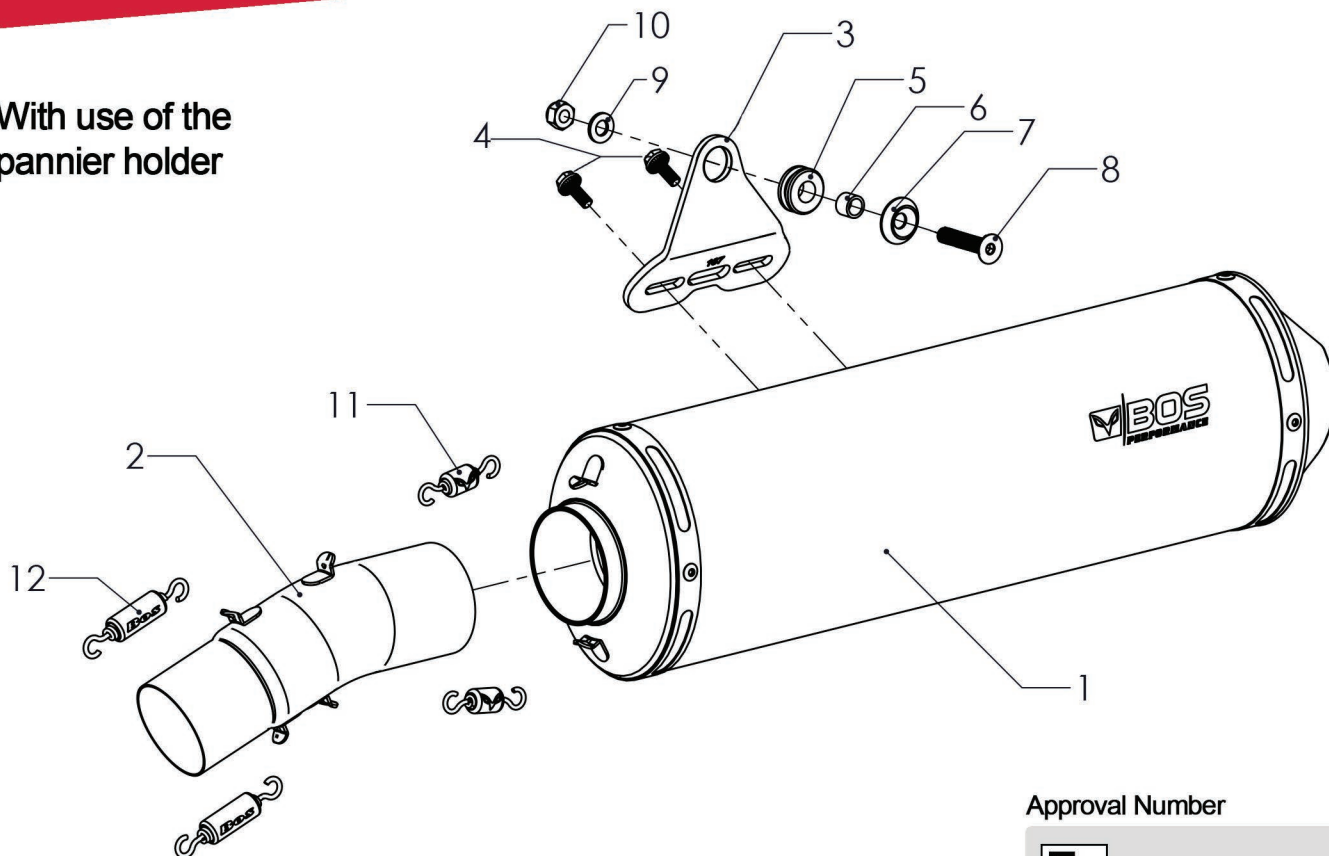


With use of the
pannier holder



Approval Number

E 4 2317 (9) TYPE 8004

Pos	Qty	Part No.	Description	Ordernumber
1	1	900066	Muffler Hyperfox Oval S180 Shot Blasted	BM08F03-HFSB - Shot Blasted
1	1	900020	Muffler Hyperfox Oval S180 Carbon Steel	BM08F03-HFCS - Carbon Steel
1	1	900067	Muffler Hyperfox Oval S180 Black Coated	BM08F03-HFBC - Black Coated
		850032	Mounting Parts:	Weight:
2	1	750025	Link Pipe	Stock: 5,0 kg
				Bos: 3,5 kg
3	1	700044	Mounting Bracket	Noiselevel: @ 4000 rpm
4	2	14140	Bolt M6x16	Stock: Specified 90,0 dB(A)
5	1	14092	Rubber	Measured 90,5 dB(A)
6	1	64621	Bushing	Bos: With DBeater 91,5 dB(A)
7	1	300027	Washer M8 Counter sunk	Open 93,3 dB(A)
8	1	14072	Bolt M8x45 Counter sunk	
9	1	14059	Washer M8	
10	1	14055	Locknut M8	
11	2	300032	Pull Spring 25 mm.	Performance
12	2	14088	Pull Spring 36 mm.	Stock: 88,4 Hp / 8415 rpm
				Bos: 91,7 Hp / 8415 rpm
				Max. Hp incr.: + 3,9 Hp / 4837 rpm
				Max Nm incr.: + 5,6 Nm / 4820 rpm

Extra Parts:

650079 DBeater Ø32 Hyper Restriction

Tips

In order to avoid smudges and fingerprints burning into the surface it is imperative to clean the exhaust before starting the engine, burnt in stains are very difficult to remove.
After 300 miles or 500 kms. check all nuts and bolts and retighten if necessary.