

| Pos | Qty | Part No. | Description | Ordernumber |
|-----|-----|---------------|------------------------|------------------------------------|
| 1 | 1 | 71192 | Muffler SECC Cs | BM10S01-SECS - Carbon Steel |
| | | 850015 | Mounting Parts: | |
| 2 | 1 | 14060 | M8 Washer | |
| 3 | 1 | 14055 | M8 Lock Nut | |

Weight:

Stock: 1,3 kg

Bos: 1,3 kg

Noiselevel: @ 5500 rpm

Stock: Specified 97,0 dB(A)

Measured 97,5 dB(A)

Bos: With DBeater 99,7 dB(A)

Open 102,3 dB(A)

Performance

Stock: 154,8 Hp / 9797 rpm

Bos: 162,4 Hp / 10018 rpm

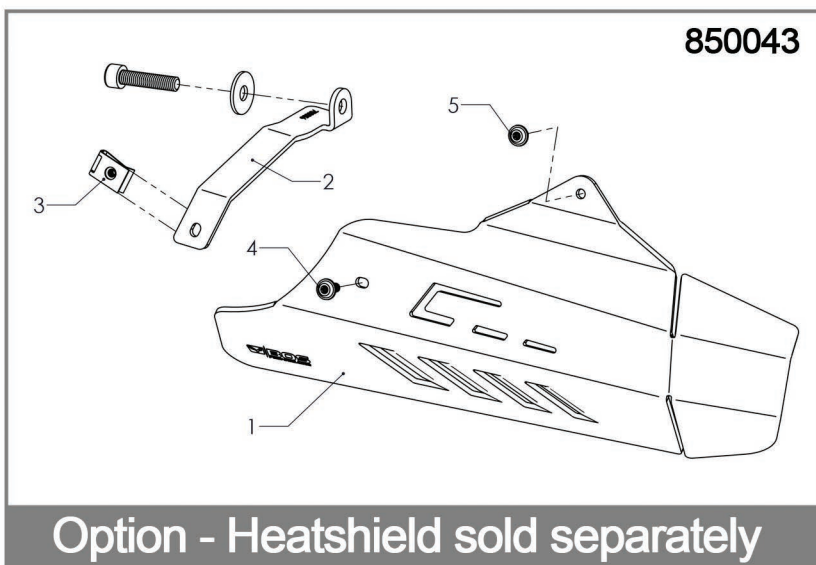
Max. Hp incr.: + 8,9 Hp / 10579 rpm

Max Nm incr.: + 5,9 Nm / 3455 rpm

Tips:

In order to avoid smudges and fingerprints burning into the surface it is imperative to clean the exhaust before starting the engine, burnt in stains are very difficult to remove.

After 300 miles or 500 kms. check all nuts and bolts and retighten if necessary.



Option - Heatshield sold separately